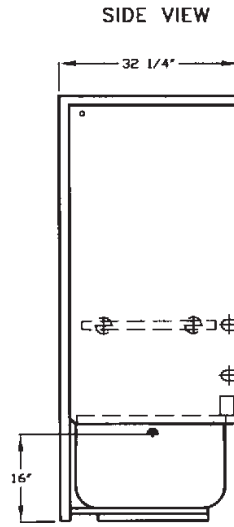
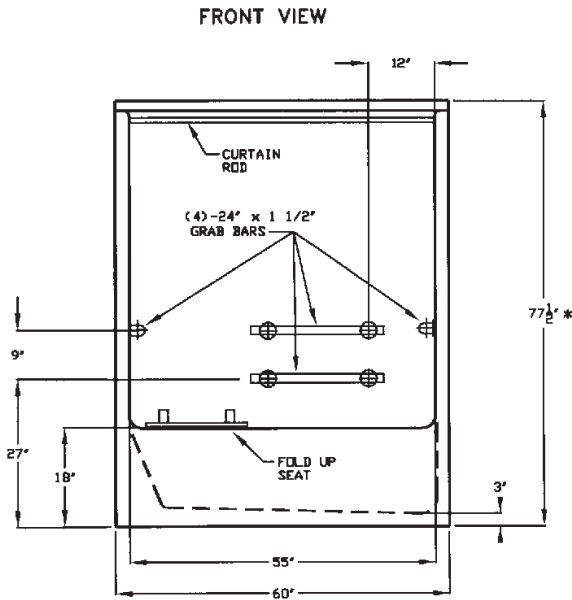


C) ADA TUB SHOWERS
 GELCOAT ONE-PIECE

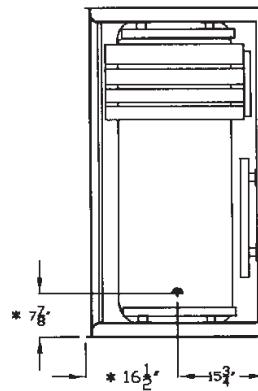
C6

G 6092 TS

OD: 60"L x 32.25"W x 77.5"H



TOP VIEW



Left Hand model
 shown in photograph.

Photographed without
 ADA required fold-up seat.

ADA Compliant: This unit complies with all specifications of ADA for accessible bathware.

Special Notes: This unit complies with ANSI 124.1 and shall meet the requirements for Uniform Plumbing Code administered by IAPMO, HUD, BOCA, and SOUTHERN BUILDING CODE.

Warranty: Gelcoat models have a 3 year limited warranty. Acrylic models have a 5 year limited warranty. Pumps, parts, and accessories 1 year limited warranty. For further details please refer to the complete warranty section.

Due to the nature of the materials, dimensions may vary +/- 1/2".

Check product prior to installation.



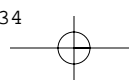
ISO 9002
 Certificate Number
 34158

Job Name: _____
 Model No.: **G 6092 TS**
 Approved by: _____ Date: _____
 Rep.: _____ Wholesaler: _____

Aquarius Bathware
 435 Industrial Road,
 Savannah, Tennessee 38372
 731.925.7656
 800.443.7269
 Fax: 731.925.4290



**AQUARIUS
 BATHWARE™**



C) ADA TUB SHOWERS
GELCOAT ONE-PIECE

C6

G 6092 TS

OD: 60"L x 32.25"W x 77.5"H



ISO 9002
Certificate Number
34158

ADA Tub Shower

The tub/shower enclosure shall be Aquarius Model G 6092 TS right or left. Finished surface shall be of a sanitary-grade polyester Gelcoat exhibiting a minimal thickness of 15 dry mils, and a finished cured Barcol hardness of 80-90 as tested with ASTM D-2583. Unit construction shall be of molded reinforced fiberglass with a 15% minimum fiberglass content. The unit shall have outside dimensions of 60" x 32 1/4" x 77 1/2". The base shall be attached to the sump of the unit in such a manner as to form an integral part with an inner and outer coating of reinforced polyester resin. The unit shall meet ANSI 117.1, ANSI 124.1, ADA, HUD, BOCA, NAHB, UPC, and shall meet the requirements of Southern Building Code.

34

The enclosure shall be equipped with the following:

- 1) two 24" x 1 1/2" bars, 18 gauge stainless steel grab bars on the back wall and one 24" x 1 1/2" bar on each end wall, with 1 1/2" safety statute clearance, mounted with stainless steel bolts and secured with a 3" x 3", 11 gauge metal mounting plate
- 2) one 1" diameter 20 gauge stainless steel curtain rod, 3) factory installed fold up seat.

Available options: 1) hand held shower set (includes: hand set, 60" flex hose, swivel connector, vacuum breaker, brass nipple, lock nut and shower wall outlet), 2) pressure balance valve, 3) 24" or 30" slide guide, 4) weighted or non-weighted flame retardant anti-bacterial curtains with hooks. 5) whirlpool system.

DUE TO THE NATURE OF THE MATERIALS
DIMENSIONS MAY VARY ± 1/2"

**FOR A COMPLETE LISTING OF ACCESSORIES AND OPTIONAL FEATURES
AVAILABLE FOR THIS MODEL PLEASE REFER TO PAGE 6 IN THE
COMMERCIAL PRODUCT GUIDE BOOKLET.**



**AQUARIUS
BATHWARE™**

Aquarius Bathware
435 Industrial Road,
Savannah, Tennessee 38372
731.925.7656
800.443.7269
Fax: 731.925.4290

Job Name: _____
Model No.: **G 6092 TS** _____
Approved by: _____ Date: _____
Rep.: _____ Wholesaler: _____

WORLD LEADER IN ACCESSIBLE BATHWARE™

© 2003
Specifications subject
to change without notice.
AB120030005

