

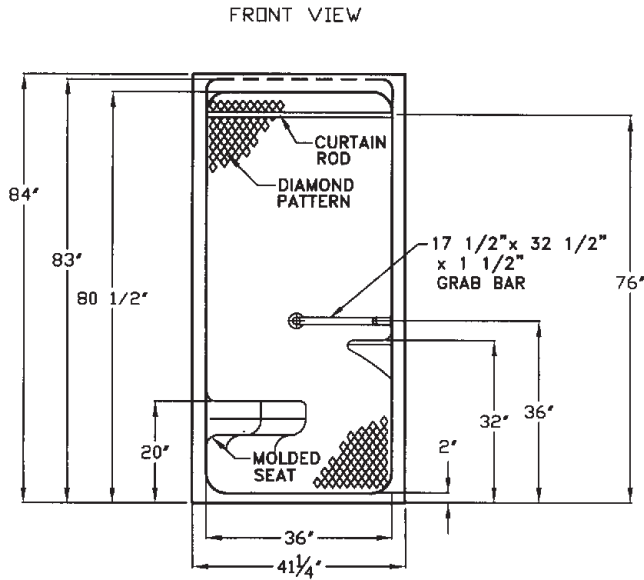
A) ADA TRANSFER SHOWERS
ACRYLIC ONE-PIECE

A1

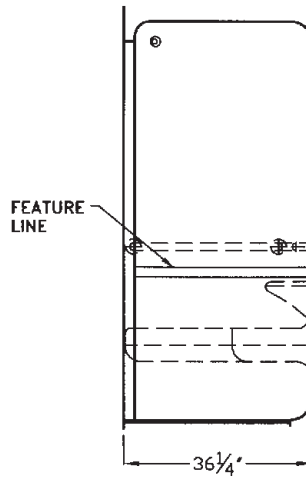
S 4136 BF

OD: 41.25"L x 36.25"W x 84"H,

ID: 36"L x 36"W



SIDE VIEW



ADA Compliant: This unit complies with all specifications of ADA for accessible bathware.

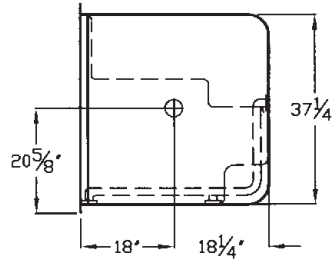
Special Notes: This unit complies with ANSI 124.1 and shall meet the requirements for Uniform Plumbing Code administered by IAPMO, HUD, BOCA, and SOUTHERN BUILDING CODE.

Warranty: Gelcoat models have a 3 year limited warranty. Acrylic models have a 5 year limited warranty. Pumps, parts, and accessories 1 year limited warranty. For further details please refer to the complete warranty section.

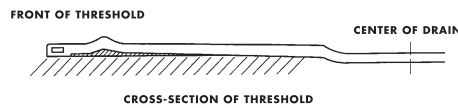
Due to the nature of the materials, dimensions may vary +/- 1/2".

Check product prior to installation.

TOP VIEW



Left Hand model shown in photograph.



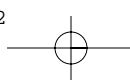
ISO 9002
Certificate Number
34158

Job Name: _____
 Model No.: **S 4136 BF**
 Approved by: _____ Date: _____
 Rep.: _____ Wholesaler: _____

Aquarius Bathware
 435 Industrial Road,
 Savannah, Tennessee 38372
 731.925.7656
 800.443.7269
 Fax: 731.925.4290



**AQUARIUS
BATHWARE™**



A) ADA TRANSFER SHOWERS

ACRYLIC ONE-PIECE

A1

S 4136 BF

OD: 41.25"L x 36.25"W x 84"H,

ID: 36"L x 36"W



ISO 9002
Certificate Number
34158

ADA Transfer Shower Stall

The shower enclosure shall be Aquarius Model S 4136 BF. The unit shall be molded from a single sheet of acrylic so as not to have any seams or joints. It shall meet ANSI A117.1 and ANSI 124.2, shall have the backside fire rating of "A" and a flame spread of less than 25, shall be designed to meet ADA, FHA, HUD, BOCA, NAHB, UPC and shall meet the requirements of most state and national standards on design for the disabled including Southern Building Code. The unit shall have inside dimensions of 36" x 36" x 80 1/2" and the outside dimensions of 41 1/4" x 36 1/4" x 84".

The enclosure shall be equipped with the following:
1) one 17 1/2" x 32 1/2" x 1 1/2" diameter stainless steel grab bar with 1 1/2" safety statute clearance, mounted with stainless steel bolts secured from the rear with 3" x 3", 11 gauge metal mounting plates,
2) 1" diameter 20 gauge stainless steel curtain rod, 3) self caulking brass drain with chrome strainer, 4) molded seat, 5) 2" threshold.

Available options: 1) dome light, 2) hand held shower set (includes: hand set, 60" flex hose, swivel connector, vacuum breaker, brass nipple, lock nut and shower wall outlet), 3) 24" or 30" slide guide, 4) pressure balance valve, 5) weighted or non-weighted flame retardant anti-bacterial curtain with hooks, 6) fold up seat, 7) "No Recess Necessary" threshold.

DUE TO THE NATURE OF THE MATERIALS
DIMENSIONS MAY VARY \pm 1/2"

**FOR A COMPLETE LISTING OF ACCESSORIES AND OPTIONAL FEATURES
AVAILABLE FOR THIS MODEL PLEASE REFER TO PAGE 6 IN THE
COMMERCIAL PRODUCT GUIDE BOOKLET.**



AQUARIUS
BATHWARE™

Aquarius Bathware
435 Industrial Road,
Savannah, Tennessee 38372
731.925.7656
800.443.7269
Fax: 731.925.4290

Job Name: _____
Model No.: **S 4136 BF** _____
Approved by: _____ Date: _____
Rep.: _____ Wholesaler: _____

WORLD LEADER IN ACCESSIBLE BATHWARE™

© 2003
Specifications subject
to change without notice.
AB120030005

